

SaniServ®



MADE IN USA

MODEL 708



80
FROZEN
COCKTAILS/HR

HIGH CAPACITY WITH 115 VOLT CONVENIENCE

The SaniServ® model 708 frozen beverage freezer is an industry workhorse! The 708 provides a great way to offer many types of slush beverages! Choose from frozen margaritas and daiquiris to frozen fruit flavor drinks, frozen lemonade and smoothies. The 708 also provides a way to serve a greater volume of all of your favorite frozen drinks without the need for an additional costly power supply!

MODEL 708

AccuFreeze[®] CONTROL

Job: _____

Item No. _____



DESIGNED FOR MEDIUM VOLUME APPLICATIONS

10 Gallons per Hour - 20 Quart Capacity

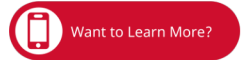
Use SaniServ[®] Model 708 to Create



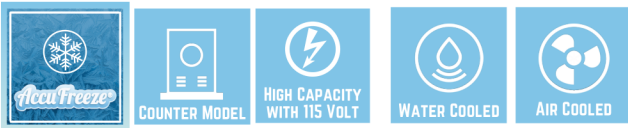
Dimensions: Width (17") Depth (24.8")
Height (33") Weight (200 lbs)

Electrical Requirements:

115/60/1 = 15 Amps



About the 708



Cooling Options

Serving Estimate:

Up to 80 Frozen Cocktails / hr

We reserve the right to change specifications and product designs without notice. Such revisions do not entitle the buyer to corresponding changes, improvements, additions, or replacements for previously purchased equipment.



✓ SPACE SAVING - *Small Footprint Design*

Save valuable floor space and turn the bar or countertop into a real profit center. By offering the finest quality of frozen drinks each time, every frozen beverage is consistent from the first to the last!

✓ EASY CLEANING AND OPERATION - *Fewer Parts = Simplified Cleaning*

SaniServ[®] equipment is designed and built with the fewest parts to be disassembled, cleaned and sanitized than any other machine in the industry. The state of the art solid-state AccuFreeze[®] control insures product consistency, worry-free operation and customer satisfaction.

✓ HIGH RETURN ON INVESTMENT - *Increased Profits*

SaniServ[®] machines combine efficiency with consistent product quality and fast, quiet operation while insuring customer satisfaction with high profit frozen beverages.

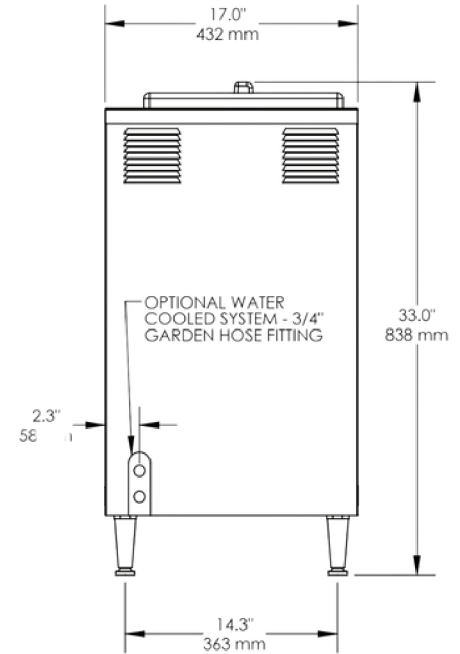
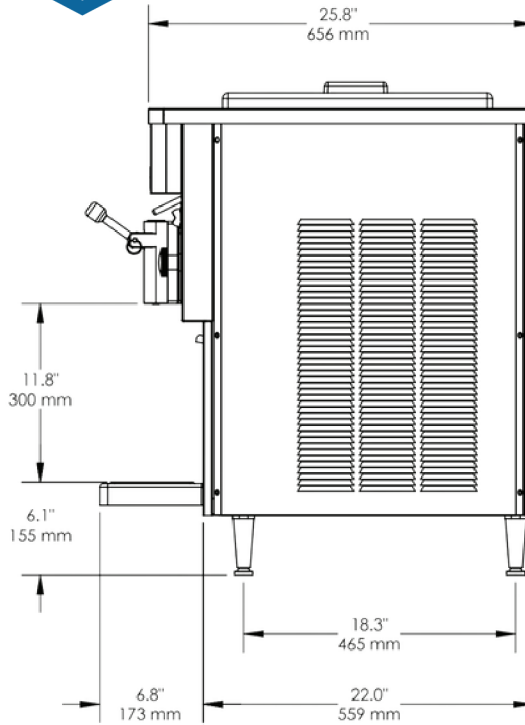
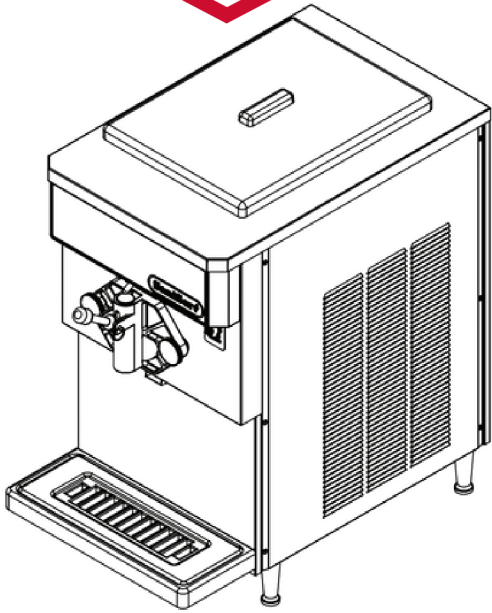
✓ QUALITY DESIGN - *Durability*

SaniServ[®] machines are built to achieve long and dependable life through simplicity of design. Every machine is shipped standard with a stainless steel exterior, durable steel interior frame construction, heavy-duty components and consistency systems.

MODEL 708



Minimum Wall Clearance
Both Sides and Back
6 inches (152 mm)



| ELECTRICAL | | | | WIDTH | HEIGHT | DEPTH | WEIGHT | VOLUME |
|-------------------------|----|-----|------|-------------|-------------|-------------|-----------|-----------------|
| VOLTS | Hz | Ph. | Amps | INCHES (MM) | INCHES (MM) | INCHES (MM) | LBS. (Kg) | CU FT. (cu. m.) |
| 115 | 60 | 1 | 15 | 17 (432) | 33 (838) | 24.8 (630) | 200 (72) | |
| Shipping Specifications | | | | 22.5 (572) | 41 (1042) | 34.5 (876) | 265 (120) | 18.5 (.53) |

SPECIFICATIONS

Cooling System:

Air or Water

Dasher and Compressor

Motors:

1/4 HP Dasher

3/4 HP Compressor

Refrigerator Type:

R404A

Listings:

UL, cUL, NSF

FEATURES

Evaporator and Mix Reservoir

Capacity:

20 Quarts (18.9 liters)

Dasher:

Heavy-Duty Stainless Steel with low friction scraper blades.

Controls:

AccuFreeze® solid-state control for accurate product consistency.

Solid State Audio/Visual Mix Out System with Compressor Lockout

WARRANTY

| | |
|------------|---------|
| Parts | 1 year |
| Compressor | 5 years |
| Evaporator | 5 years |

Options:

- Drink Spinner
- Syrup Rail
- Countertop Mounting Pad
- Machine Stand
- Wash Out Kit - 3/8" Flare Fitting
- Water Cooled - 3/4" Garden Hose Fitting
- Export Voltages