

# SaniServ®

## MODEL 108

  
MADE IN USA



**85**  
**FROZEN**  
**COCKTAILS/HR**

# GREAT FOR RESTAURANTS AND CONCESSIONAIRES

The SaniServ® model 108 Frozen Beverage Freezer provides owners and operators everything they are asking for: **Frozen beverage visibility merchandising in a consistent and reliable machine!** The 108's extra large 8 inch face plate design allows customers to view colorful frozen beverages being offered without the condensation and unreliable operation of traditional "bubble top" machines! The high frozen product visibility, along with increased production and reliability, results in increased sales and high profits!



# MODEL 108

## TORQUE CONSISTENCY CONTROLS

Job: \_\_\_\_\_

Item No. \_\_\_\_\_



### DESIGNED FOR MEDIUM VOLUME APPLICATIONS 8 Gallons per Hour - 25 Quart Capacity

#### Use SaniServ® Model 108 to Create



**Dimensions:** Width (16.6") Depth (28.5")  
Height (37.1") Weight (210 lbs)

**Electrical Requirements:**  
115/60/1 = 15 Amps

**Serving Estimate:**  
Up to 85 Frozen Cocktails / hr

We reserve the right to change specifications and product designs without notice. Such revisions do not entitle the buyer to corresponding changes, improvements, additions, or replacements for previously purchased equipment.



Want to Learn More?



#### About the 108

#### Cooling Options



## ✓ SPACE SAVING - Small Footprint Design

SaniServ® model 108 offers frozen product visibility in reliable, space saving equipment and design! Owners and operators can turn the countertop into a highly colorful profit center by providing the frozen beverages customers enjoy!

## ✓ EASY CLEANING AND OPERATION - Fewer Parts = Simplified Cleaning

SaniServ® equipment is designed and built with the fewest parts to be disassembled, cleaned and sanitized than any other machine in the industry.

## ✓ HIGH RETURN ON INVESTMENT - Increased Profits

SaniServ® machines combine affordable efficiency with consistent product quality and fast, quiet operation to insure customer satisfaction with high profit frozen beverages.

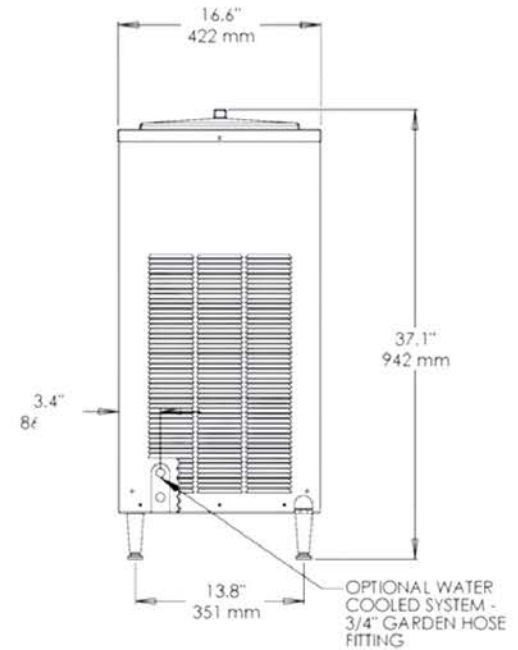
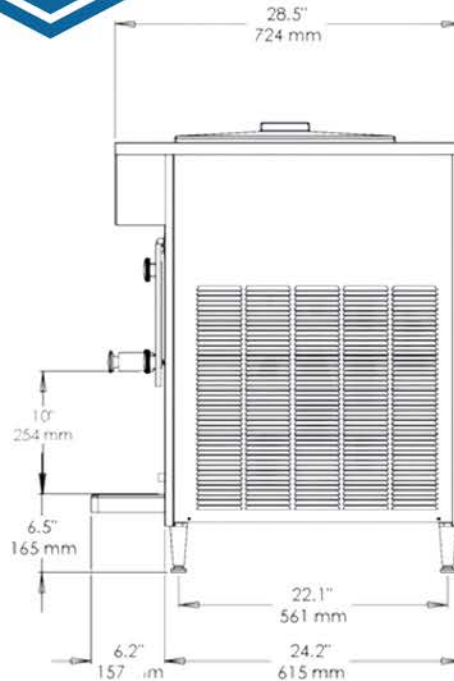
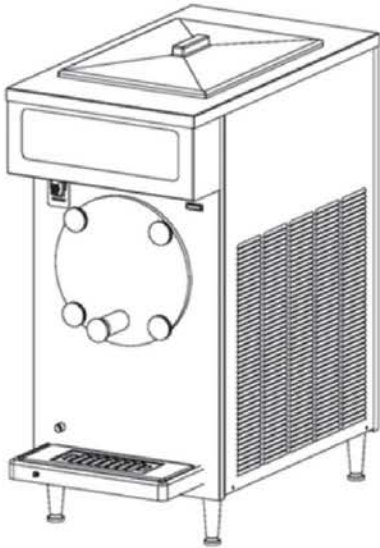
## ✓ QUALITY DESIGN - Durability

SaniServ® machines are built to achieve long and dependable life through simplicity of design. Every machine is shipped standard with a stainless steel exterior, durable steel interior frame construction, heavy-duty components and consistency systems.

# MODEL 108

## TORQUE CONSISTENCY CONTROLS

Minimum Wall Clearance  
Both Sides and Back  
6 inches (152 mm)



ELECTRICAL				WIDTH	HEIGHT	DEPTH	WEIGHT	VOLUME
VOLTS	Hz	Ph.	Amps	INCHES (MM)	INCHES (MM)	INCHES (MM)	LBS. (Kg)	CU FT. (cu. m.)
115	60	1	15	16.2 (422)	37.1 (942)	28.5 (724)	210 (95)	
Shipping Specifications				22.5 (572)	41 (1042)	34.5 (876)	285 (129)	18.5 (.53)

## SPECIFICATIONS

### Cooling System:

Air or Water

### Dasher and Compressor

#### Motors:

1/2 HP Dasher

3/4 HP Compressor

### Refrigerator Type:

R404A

### Listings:

UL, cUL, NSF

## FEATURES

### Evaporator and Mix Reservoir

#### Capacity:

25 Quarts (23.6 liters)

#### Dasher:

Heavy-Duty Stainless Steel with low friction scraper blades.

#### Controls:

Automatic consistency controls for improved product consistency.

### Solid State Audio/Visual Mix Out System

## WARRANTY

Parts	1 year
Compressor	5 years
Evaporator	5 years

### Options:

Tune Up Kit  
Drink Spinner  
Counter Top Mounting Pad  
Machine Stand  
Water Cooled - 3/4" Garden Hose Fitting  
Wash Out Kit - 3/8" Flare Fitting  
Export Voltages