

SaniServ®



MADE IN USA

MODEL 608S



135
SMOOTHIES/HR



GREAT FOR

RESTAURANTS, SCHOOLS, & HEALTH CARE

The SaniServ® model 608S smoothie freezer provides consistent quality yogurt and fruit smoothies or a yogurt smoothie base. Rapid dispensing of ready to serve healthy and nutritious smoothies at your finger tips. Use a yogurt base and other ingredients to create flavors your customers will crave.

MODEL 608S

AccuFreeze[®] CONTROL

Job: _____

Item No. _____



135
SMOOTHIES/HR

DESIGNED FOR HEALTHY SMOOTHIES

Three - 12 oz. Servings per Minute

Use SaniServ[®] Model 608S to Create



About the 608S



Cooling Options



Dimensions: Width (17") Depth (24.8")
Height (33") Weight (208 lbs)

Electrical Requirements:

120/60/1 = 15 Amps

Serving Estimate:

Up to 135 Smoothies / hr

We reserve the right to change specifications and product designs without notice. Such revisions do not entitle the buyer to corresponding changes, improvements, additions, or replacements for previously purchased equipment.



MADE IN USA

✓ EASY CLEANING AND OPERATION - *Fewer Parts = Simplified Cleaning*

SaniServ[®] equipment is designed and built with the fewest parts to be disassembled, cleaned and sanitized than any other machine in the industry. The state of the art solid-state AccuFreeze[®] control insures product consistency, worry-free operation and customer satisfaction.

✓ HIGH RETURN ON INVESTMENT - *Increased Profits*

SaniServ[®] machines combine efficiency with consistent product quality and fast, quiet operation while insuring customer satisfaction with high profit ice cream or yogurt products.

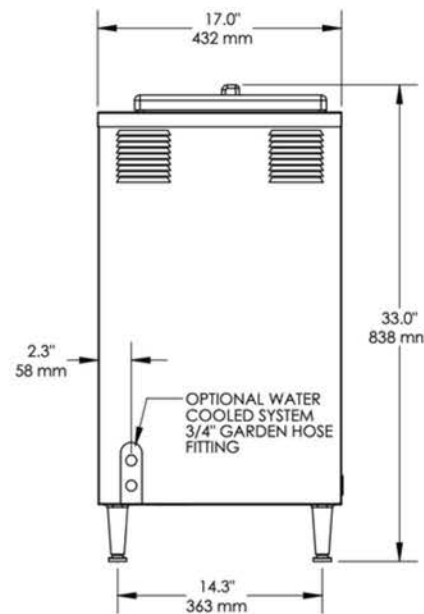
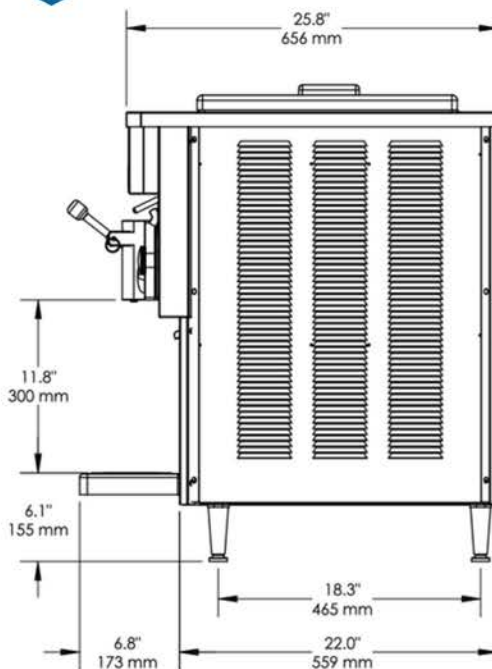
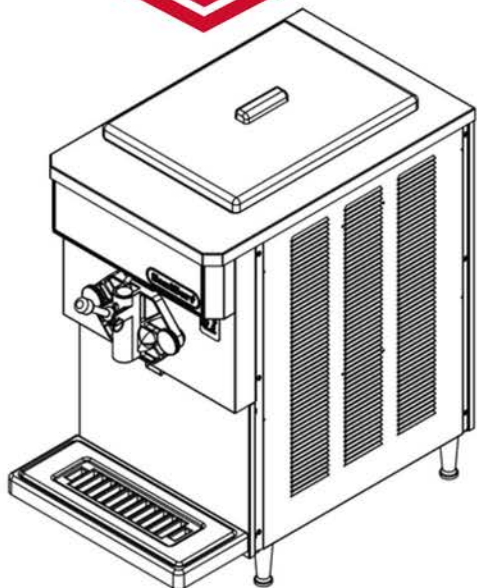
✓ QUALITY DESIGN - *Durability*

SaniServ[®] machines are built to achieve long and dependable life through simplicity of design. Every machine is shipped standard with a stainless steel exterior, durable steel interior frame construction, heavy-duty components and consistency systems.

MODEL 608S

AccuFreeze[®]
CONTROL

Minimum Wall Clearance
Both Sides and Back
6 inches (152 mm)



ELECTRICAL				WIDTH	HEIGHT	DEPTH	WEIGHT	VOLUME
VOLTS	Hz	Ph.	Amps	INCHES (MM)	INCHES (MM)	INCHES (MM)	LBS. (Kg)	CU FT. (cu. m.)
120	60	1	15	17 (432)	33 (838)	24.8 (630)	208 (95)	
Shipping Specifications				22.5 (572)	41 (1042)	34.5 (876)	265 (120)	18.5 (.53)

SPECIFICATIONS

Cooling System:

Air or Water

Dasher and Compressor

Motors:

1/4 HP Dasher

3/4 HP Compressor

Refrigerator Type:

R404A

Listings:

UL, cUL, NSF

FEATURES

Evaporator and Mix Reservoir

Capacity:

20 Quarts (18.9 liters)

Dasher:

Heavy-Duty Stainless Steel with low friction scraper blades.

Controls:

AccuFreeze[®] solid-state control for accurate product consistency.

Solid State Audio/Visual Mix Out System with Compressor Lockout

WARRANTY

Parts	1 year
Compressor	5 years
Evaporator	5 years

Options:

- Tune Up Kit
- Syrup Rail
- Counter Top Mounting Pad
- Machine Stand
- Water Cooled - 3/4" Garden Hose Fitting
- Wash Out Kit - 3/8" Flare Fitting