

SaniServ®



MADE IN USA

MODEL 707



64
FROZEN
COCKTAILS/HR

HIGH CAPACITY WITH 110 VOLT CONVENIENCE

The SaniServ® model 707 Frozen Beverage Freezer is a customer favorite! Its sleek single barrel profile has the ability to offer many types of slush beverages! Choose from frozen margaritas and daiquiris to frozen fruit flavor drinks such as frozen lemonade and fruit smoothies. The 707 is a must have for the customer looking for an affordable way to offer all of their favorite beverages frozen!

MODEL 707

AccuFreeze[®] CONTROL

Job: _____

Item No. _____

 **64**
FROZEN
COCKTAILS/HR

DESIGNED FOR MEDIUM VOLUME APPLICATIONS

8 Gallons per Hour - 20 Quart Capacity

Use SaniServ[®] Model 707 to Create



Dimensions: Width (14") Depth (24")
Height (31") Weight (159 lbs)

Electrical Requirements:
115/60/1 = 15 Amps



About the 707



Cooling Options

Serving Estimate:

Up to 64 Frozen Cocktails / hr

We reserve the right to change specifications and product designs without notice. Such revisions do not entitle the buyer to corresponding changes, improvements, additions, or replacements for previously purchased equipment.



MADE IN USA

✓ SPACE SAVING - *Small Footprint Design*

SaniServ[®] model 707 saves valuable floor space and turns the bar or countertop into a real profit center. By offering the finest quality of frozen drinks each time, every frozen beverage is consistent from the first to the last!

✓ EASY CLEANING AND OPERATION - *Fewer Parts = Simplified Cleaning*

SaniServ[®] equipment is designed and built with the fewest parts to be disassembled, cleaned and sanitized than any other machine in the industry. The state of the art solid-state AccuFreeze[®] control insures product consistency, worry-free operation and customer satisfaction.

✓ HIGH RETURN ON INVESTMENT - *Increased Profits*

SaniServ[®] machines combine efficiency with consistent product quality and fast, quiet operation while insuring customer satisfaction with high profit frozen beverages.

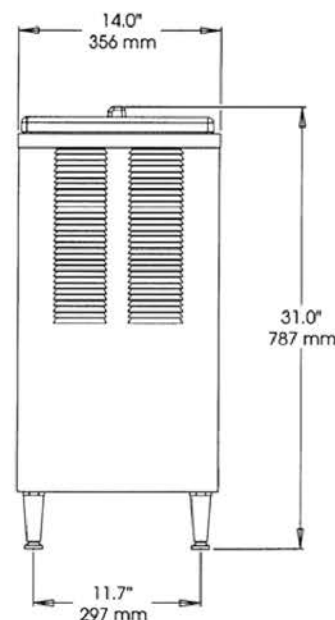
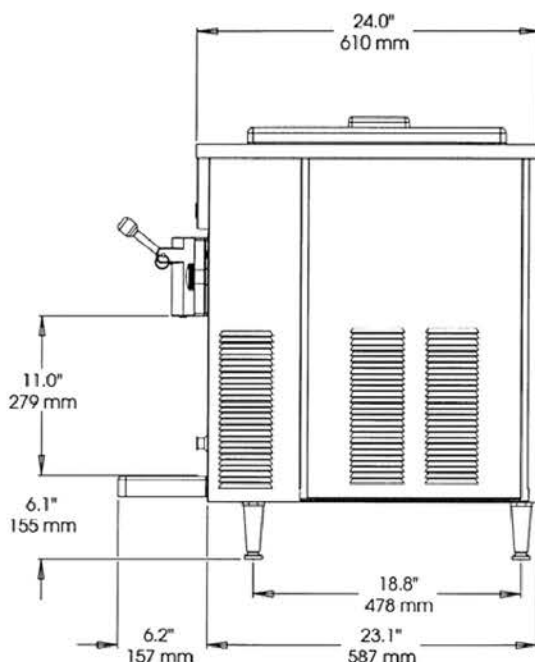
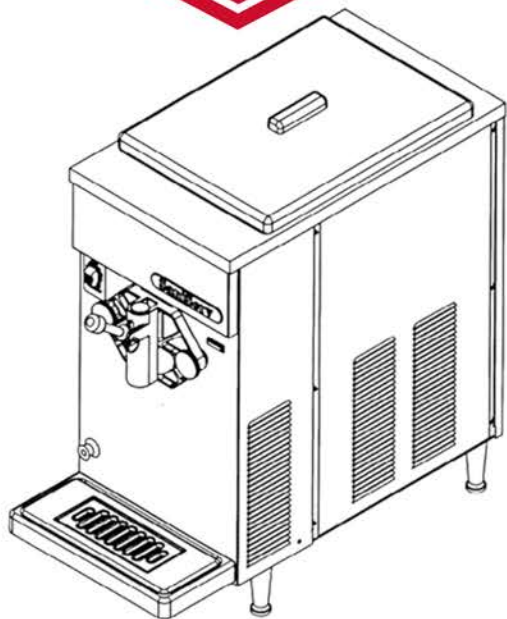
✓ QUALITY DESIGN - *Durability*

SaniServ[®] machines are built to achieve long and dependable life through simplicity of design. Every machine is shipped standard with a stainless steel exterior, durable steel interior frame construction, heavy-duty components and consistency systems.

MODEL 707

AccuFreeze[®] CONTROL

Minimum Wall Clearance
Both Sides and Back
6 inches (152 mm)



ELECTRICAL				WIDTH	HEIGHT	DEPTH	WEIGHT	VOLUME
VOLTS	Hz	Ph.	Amps	INCHES (MM)	INCHES (MM)	INCHES (MM)	LBS. (Kg)	CU FT. (cu. m.)
115	60	1	15	14 (356)	31 (787)	24 (610)	159 (72)	
Shipping Specifications				22.5 (572)	33.5 (851)	34.5 (876)	210 (95)	18.1 (.51)

SPECIFICATIONS

Cooling System:

Air Only

Dasher and Compressor

Motors:

1/4 HP Dasher

1/2 HP Compressor

Refrigerator Type:

R404A

Listings:

UL, cUL, NSF

FEATURES

Evaporator and Mix Reservoir

Capacity:

20 Quarts (18.9 liters)

Dasher:

Heavy-Duty Stainless Steel with low friction scraper blades.

Controls:

AccuFreeze[®] solid-state control for accurate product consistency.

Solid State Audio/Visual Mix Out System with Compressor Lockout

WARRANTY

Parts	1 year
Compressor	5 years
Evaporator	5 years

Options:

- Drink Spinner
- Tune Up Kit
- Syrup Rail
- Export Voltages
- Extra Lead Time Applies