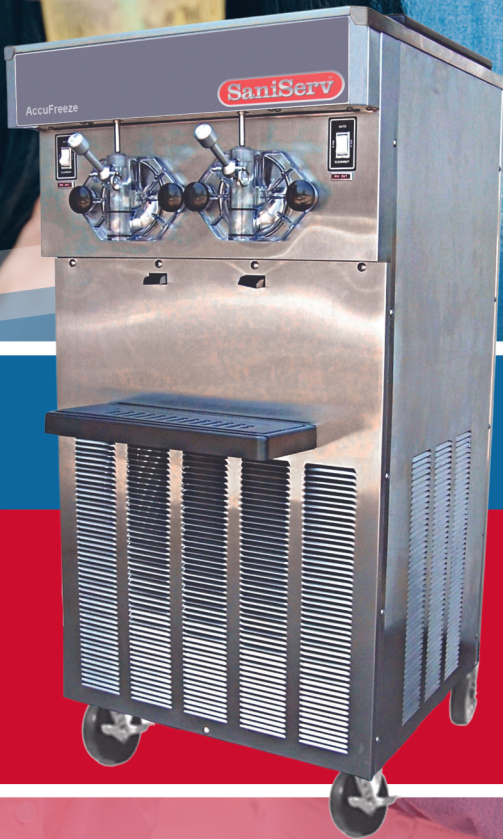


SaniServ®



MADE IN USA

MODEL 724



320
FROZEN
COCKTAILS/HR

HIGH PRODUCTION

TWO FLAVORS IN A FLOOR MODEL DESIGN

The SaniServ® model 724 floor model frozen beverage freezer provides not one but two frozen beverage flavors in a high production floor model machine! The output and versatility of the 724 means owners and operators can offer two frozen best sellers. Because each side of the machine utilizes its own 2 HP refrigeration system, customers are always insured of getting their favorites!

MODEL 724

AccuFreeze[®] CONTROL

Job: _____

Item No. _____



320 FROZEN COCKTAILS/HR

DESIGNED FOR HIGH VOLUME APPLICATIONS

20 Gallons per Hour per side - 20 Quart Capacity per Side

Use SaniServ[®] Model 724 to Create



Dimensions: Width (26") Depth (28")
Height (54.6") Weight (501 lbs)

Electrical Requirements:
208-230/60/1 = 2x25 Amps
208-230/60/3 = 2x20 Amps



About the 724



Cooling Options

Serving Estimate:

Up to 320 Frozen Cocktails (160/side) / hr

We reserve the right to change specifications and product designs without notice. Such revisions do not entitle the buyer to corresponding changes, improvements, additions, or replacements for previously purchased equipment.



MADE IN USA

✓ HEAVY DUTY - Floor Model Design

SaniServ[®] model 724 provides a high volume of frozen beverages in the traditional floor model design. Operators will enjoy the ease of operation and the ability to utilize the 724's versatility to provide the different types of frozen beverages that customers want!

✓ EASY CLEANING AND OPERATION - Fewer Parts = Simplified Cleaning

SaniServ[®] equipment is designed and built with the fewest parts to be disassembled, cleaned and sanitized than any other machine in the industry. The state of the art solid-state AccuFreeze[®] control insures product consistency, worry-free operation and customer satisfaction.

✓ HIGH RETURN ON INVESTMENT - Increased Profits

SaniServ[®] machines combine efficiency with consistent product quality and fast, quiet operation while insuring customer satisfaction with high profit frozen beverages.

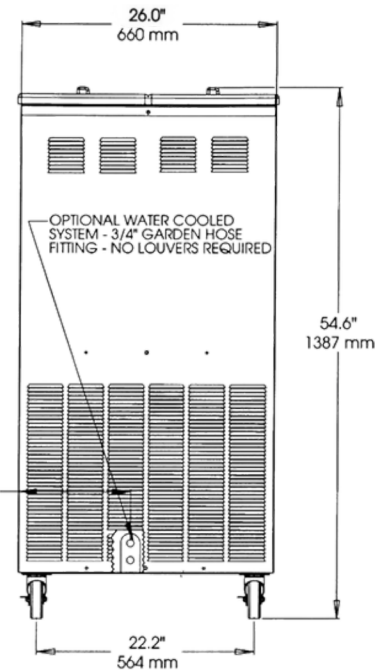
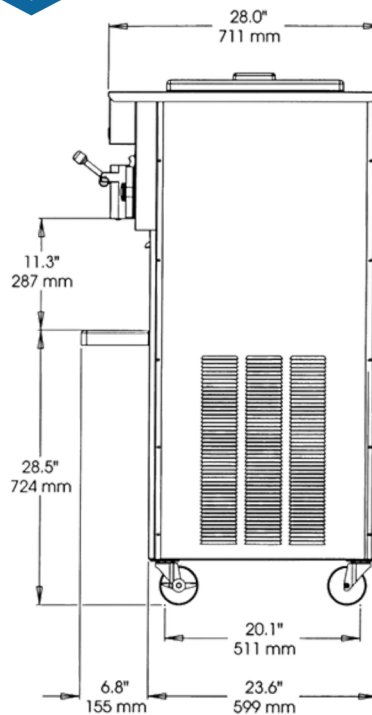
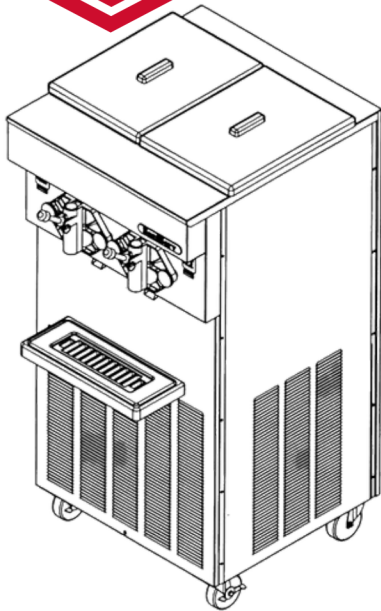
✓ QUALITY DESIGN - Durability

SaniServ[®] machines are built to achieve long and dependable life through simplicity of design. Every machine is shipped standard with a stainless steel exterior, durable steel interior frame construction, heavy-duty components and consistency systems.

MODEL 724

AccuFreeze[®]
CONTROL

Minimum Wall Clearance
Both Sides and Back
6 inches (152 mm)



ELECTRICAL				WIDTH	HEIGHT	DEPTH	WEIGHT	VOLUME
VOLTS	Hz	Ph.	Amps	INCHES (MM)	INCHES (MM)	INCHES (MM)	LBS. (Kg)	CU FT. (cu. m.)
208-230	60	1	2x25	26 (660)	54.6 (1387)	28 (711)	501 (228)	
208-230	60	3	2x20					
Shipping Specifications				37 (940)	60 (1524)	41 (1024)	580 (264)	52.7 (1.49)

SPECIFICATIONS

Cooling System:

Air or Water

Dasher and Compressor

Motors:

(2) 1/4 HP Dasher
(2) 2 HP Compressor

Refrigerator Type:

R404A

Listings:

UL, cUL, NSF

FEATURES

Evaporator and Mix Reservoir

Capacity:

20 Quarts (18.9 liters) per side

Dasher:

Heavy-Duty Stainless Steel with low friction scraper blades.

Controls:

AccuFreeze[®] solid-state control for accurate product consistency.

Solid State Audio/Visual Mix Out System with Compressor Lockout

WARRANTY

Parts	1 year
Compressor	5 years
Evaporator	5 years

Options:

Drink Spinner
Tune Up Kit
Syrup Rail
Wash Out Kit - 3/8" Flare Fitting
Water Cooled - 3/4" Garden Hose Fitting
Export Voltages