

SaniServ®

MODEL DF200


MADE IN USA



 **120**
CONES/HR

GREAT FOR RESTAURANTS AND CONCESSIONAIRES

The SaniServ® model DF200 soft serve/yogurt freezer is ideal for providing small servings, samplers, and adding a-la-mode to favorite desserts. DuraFreeze is economical in price and space. DuraFreeze also offers the prospect for high profits and customer satisfaction.



Job: _____

Item No. _____



DESIGNED FOR LOW VOLUME APPLICATIONS

Two 3 oz Servings per minute - 7 Quart Capacity

Use SaniServ® Model DF200 to Create



Dimensions: Width (14") Depth (23.7") Height (25.4") Weight (145 lbs)

Electrical Requirements:

115/60/1 = 15 Amps



About the DF200 Cooling Options

Serving Estimate:

Up to 120 Cones / hr

We reserve the right to change specifications and product designs without notice. Such revisions do not entitle the buyer to corresponding changes, improvements, additions, or replacements for previously purchased equipment.



✓ SPACE SAVING - *Small Footprint Design*

SaniServ® DuraFreeze 200 saves valuable floor space and turns the countertop into a real profit center by serving high profit ice cream and yogurt products.

✓ EASY CLEANING AND OPERATION - *Fewer Parts = Simplified Cleaning*

SaniServ® equipment is designed and built with the fewest parts to be disassembled, cleaned and sanitized than any other machine in the industry.

✓ HIGH RETURN ON INVESTMENT - *Increased Profits*

SaniServ® machines combine affordable efficiency with consistent product quality and fast, quiet operation to insure customer satisfaction with high profit frozen beverages.

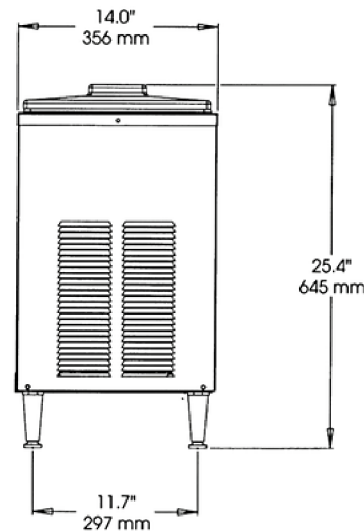
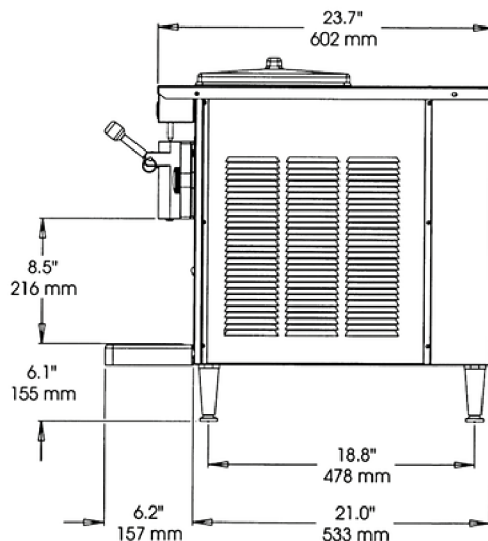
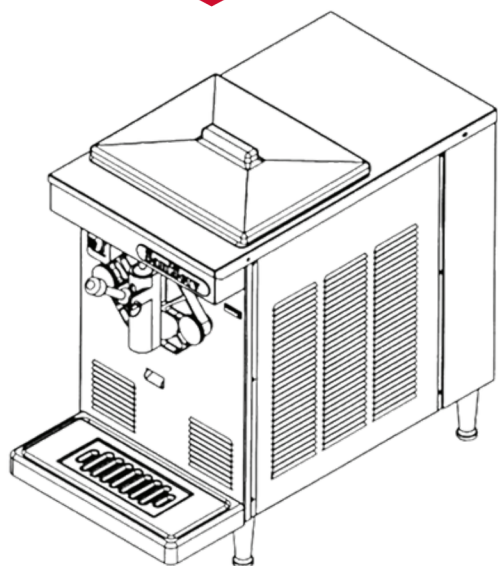
✓ QUALITY DESIGN - *Durability*

SaniServ® machines are built to achieve long and dependable life through simplicity of design. Every machine is shipped standard with a stainless steel exterior, durable steel interior frame construction, heavy-duty components and consistency systems.

MODEL DF200

ECONOMY SERIES

Minimum Wall Clearance
Both Sides and Back
6 inches (152 mm)



ELECTRICAL				WIDTH	HEIGHT	DEPTH	WEIGHT	VOLUME
VOLTS	Hz	Ph.	Amps	INCHES (MM)	INCHES (MM)	INCHES (MM)	LBS. (Kg)	CU FT. (cu. m.)
115	60	1	15	14 (356)	25.4 (645)	23.7 (602)	145 (66)	
Shipping Specifications				22.5 (571)	31.5 (800)	34.5 (876)	185 (84)	8.6 (.25)

SPECIFICATIONS

Cooling System:

Air Only

Dasher and Compressor

Motors:

1/2 HP Dasher

1/2 HP Compressor

Refrigerator Type:

R404A

Listings:

UL, cUL

FEATURES

Evaporator and Mix Reservoir

Capacity:

7 Quarts (5.7 liters)

Dasher:

Heavy-Duty Stainless Steel with low friction scraper blades.

Controls:

Automatic consistency controls.

WARRANTY

Parts	90 days
Compressor	1 year
Evaporator	1 year
Labor	30 days

Options:

Tune Up Kit

Machine Stand